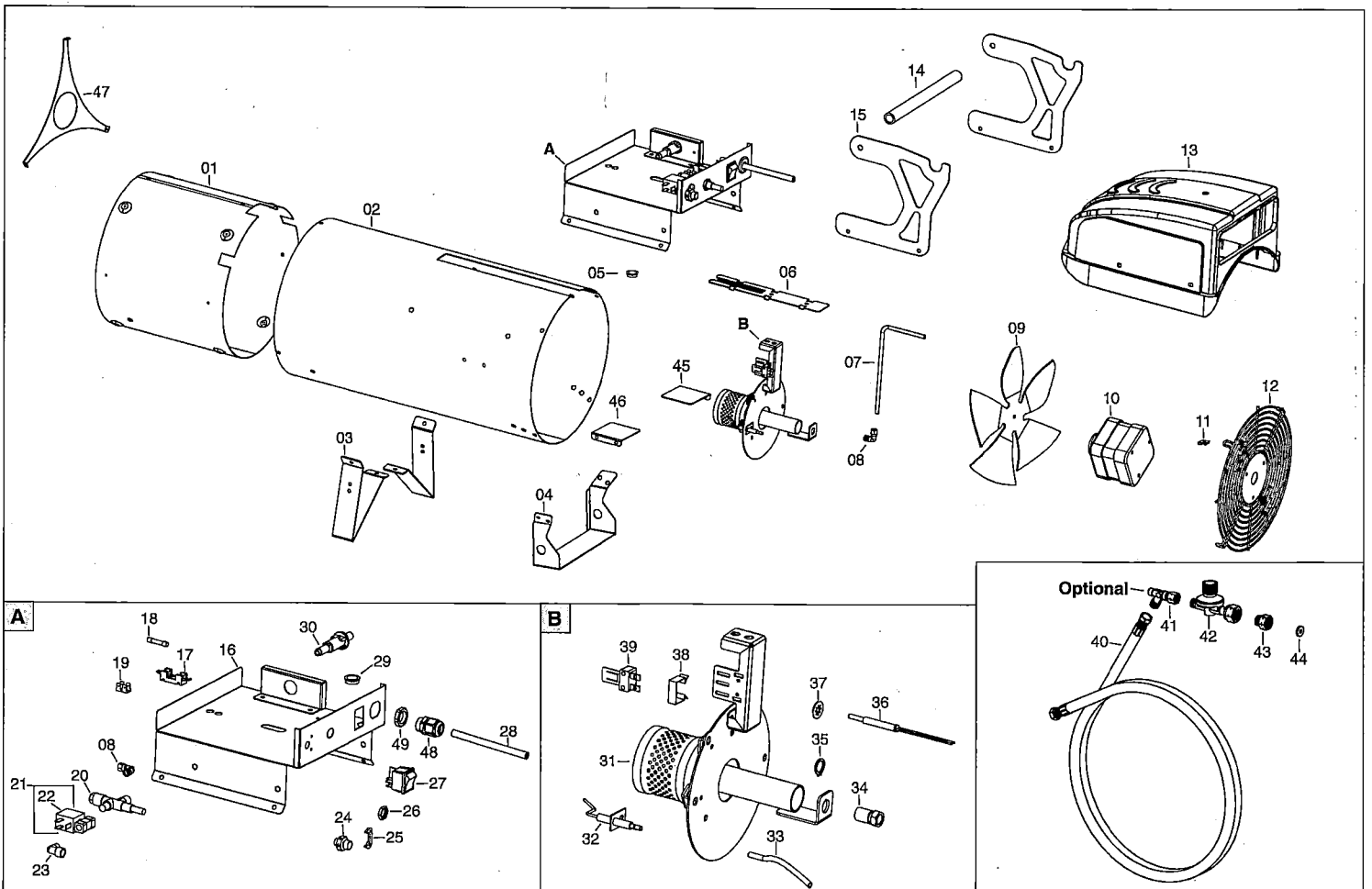


BIEMMEDUE S.p.A.

GP 45 M C

L-D209.01-BT



PL 05/17		Da N.° serie	De No. Serie	Von Masch. Nr.	From S/N	
47410001						
POS	P/N	LEGENDA	DESCRIZIONE	DESCRIPTION	BESCHREIBUNG	DESCRIPTION
1	G03198	-	Camera di combustione	Chambre de combustion	Brennkammer	Combustion chamber
2	G03199-3001	-	Carrozzeria	Carrosserie	Karosserie	Body
3	G03188-9005	-	Piede	Support	Stütze	Support
4	G03189-9005	-	Piede	Support	Stütze	Support
5	C30348	Ø16 mm	Passacavo	Protection cable	Kabeldurchgang	Cable protection
6	G03190-3001	-	Staffa	Étrier	Bügel	Stirrup
7	I42008	Ø 6 x Ø 4	Tubo rame	Tuyau cuivre	Kupferrohr	Gas supply pipe
8	I30869	1/8" M / Ø6 / 90°	Raccordo bicono	Raccord pour bicone	Doppelkegelanschluss	Connection bicone
9	T10275	Ø 254 - 31°	Ventola	Ventilateur	Lüfter	Fan
10	E10720	25 W - 230 V - 50 Hz	Motore	Moteur	Motor	Motor
11	M20412	U42-182 B	Piastrina serraggio	Plaque serrage	Anzugsscheibe	Lock plate
12	P30176	-	Griglia aspirazione	Grille aspiration	Ansauggitter	Inlet grill
13	P50142	-	Copertura quadro elettrico	Couverture coffret électrique	Abdeckung Schalttafel	Control box cover
14	G03191-9005	-	Maniglia	Poignée	Griff	Handle
15	G03192-9005	-	Supporto maniglia	Support poignée	Halterung Griff	Handle support
16	G03193-9005	-	Piastra supporto	Plaque support	Montageplatte	Support plate
17	E20508	6 x 32	Portafusibile	Porte fusible	Sicherungshalter	Fuse holder
18	E10306	6x30 - 4A - T	Fusibile	Fusible	Sicherung	Fuse
19	M20616	-	Morsetteria a rivettare	Plaque à bornes à riveter	Anschlussleiste nietbar	Terminal board to rivet
20	T30335	1/8" M - 1/8" F	Valvola gas termica	Valve gaz thermique	Thermoventil Gas	Thermal gas valve
21	T30219	1/8" - 220 V	Elettrovalvola	Electrovanne	Magnetventil	Solenoid valve
22	T30224	230 V	Bobina elettrovalvola	Bobine E. V.	Spule Magnetventil	Solenoid coil
23	I20302	1/8" MF / 90°	Raccordo	Raccord	Fitting	Fitting
24	I30738	1/4" M sx - 1/8" M	Raccordo ottone	Raccord laiton	Messingfitting	Brass fitting
25	G03194	-	Staffa blocco raccordo	Étrier bloc raccordement	Blockierbügel für Anschluss	Fitting lock bracket
26	T30337	M12x1	Dado	Écrou	Schraubmutter	Nut
27	E10110-1-P	0 - I	Interruttore bipolare	Interrupteur	zweipoliger Schalter	Switch
28	E30457	L = 1,5 m - SCHUKO	Cavo alimentazione elettrica	Câble d'alimentation	Stromversorgungskabel	Power cord
29	C30388	Ø20 mm	Passacavo	Protection cable	Kabeldurchgang	Cable protection
30	T30604	-	Accenditore piezoelettrico	Allumeur piezo-electrique	Piezo-Zünder	Piezo igniter
31	G03200	-	Testa di combustione	Brûleur	Brennkopf	Combustion head
32	E10213	-	Elettrodo accensione	Électrode allumage	Zündelektrode	Ignition electrode
33	E00390	L=300 mm	Cavo alta tensione	Conn. câble	Hochspannungskabel	H.T. Cable connect.
34	I33014	G1/8" F-Ø 1,3	Ugello gas	Gicleur	Gasdüse	Nozzle
35	M20317	E12	Anello seeger	Bague seeger	Seegerring	Seeger ring
36	E50503	L = 400 mm	Termocoppia	Thermocouple	Thermoelement	Thermocouple
37	M20208	-	Rondella elastica	Clips de fixation	Sprengring	Elastic washer
38	M20428	-	Staffa	Étrier	Bügel	Stirrup
39	E50103	V10C	Termostato di sicurezza	Thermostat de sécurité	Sicherheitsthermostat	Safety thermostat
40	I40556	1/4" Fsx-3/8" Fsx-L=3m	Tubo gas	Tuyau du gaz	Gas Schlauch	Gas hose
41	T30341	6,5 kg - 3/8" G	Valvola sicurezza "stop-gas"	Sécurité stop-gaz	Gas-Stopp-Sicherheitsventil	Excess flow valve
42	T30332-GB	FI - IE - GB	Regolatore pressione gas	Manodetendeur	Gasdruckregler	Pressure regulator
42	T30332-US	SE - NO	Regolatore pressione gas	Manodetendeur	Gasdruckregler	Pressure regulator

PL 05/17		Da N.° serie	De No. Serie	Von Masch. Nr.	From S/N	
47410001						
POS	P/N	LEGENDA	DESCRIZIONE	DESCRIPTION	BESCHREIBUNG	DESCRIPTION
42	T30332-D	AT-BG-CY-DK-DE-EE-LT-LV-MK-MT-RO-TR-NL	Regolatore pressione gas	Manodetendeur	Gasdruckregler	Pressure regulator
43	T30534	CH - NL	Raccordo	Raccord	Fitting	Fitting
44	T30528	NL	Guarnizione	Joint	Dichtung	Seal
45	G03206	DX	Aletta aria	Défecteur d'air	Luftleitblech	Air flap
46	G03207	SX	Aletta aria	Défecteur d'air	Luftleitblech	Air flap
47	G03241	-	Griglia uscita aria	Grille de sortie	Ausblasgitter	Outlet grill
48	E20964	PG 13,5	Pressacavo	Presse étoupe	Kabeldurchgang	Cable fastener
49	E20965	PG 13,5	Dado per pressacavo	Écrou pour presse étoupe	Mutter für Kabeldurchgang	Cable fastener nut